

L i t t r o n T o t a l L a s e r C a p a b i l i t y

bernoulli
bernoulli
bernoulli
bernoulli
bernoulli
p l v



bernoulli
bernoulli
bernoulli
bernoulli
bernoulli



p i v

Lower the pressure in your PIV experiments.

From wind tunnels to wind farms the **bernoulli™** is suited to operation in almost any environment.



KEY FEATURES

- Fully sealed laser head** – full environmental protection from dust and moisture.
- Vibration and shock proof** – for use in rough environments.
- Compact size** – aluminium monolithic body with strengthened and lightened exterior & interior.
- Ability to operate in all orientations** – all internal parts designed to allow operation in any orientation.
- 2 Year warranty includes PSU & Laser head** – 24 Month warranty on all electrical and mechanical components.
- 2 Year warranted alignment and overlap** – mechanical components factory locked into position in separate compartment.
- Ruggedized oscillator design with fully minimised adjustments** – fixed mirror design adds to oscillator alignment stability.
- Fast connections at the laser head and PSU** – easy to transport, set up and dismount.
- Simple auto start up and touch screen control** – Litron's new **LUCI™** remote controller interface means fast, simple, clear control and operation.
- Standard mounting points included** – tripod, metric and imperial mounting points machined into the laser head for ease of system integration.
- MOBIUS™ - Microprocessor controlled head** – active control and monitoring of all laser head parameters.
- Motorised attenuator fitted as standard** – ensures maximum control capability for varying applications using the same laser head.
- Standardised PSU** – Mobius system in the laser head configures the PSU to the correct laser head parameters.
- Accurate internal pulse generator** – allows more direct user control without third party external timing equipment.
- Alignment mode** – sets attenuator to just above threshold level to allow alignment of external optics.
- High Frequency Options** – 50Hz and 100Hz variants are available with alternative PSU configurations.

*The new **bernoulli™** PIV from Litron is the most advanced 'plug and play' PIV laser system available today. It benefits from Litron's years of experience in this field and the expertise gained from being the World's leading PIV laser manufacturer.*

Please visit www.litronlasers.com for the latest information about all Litron products and developments or contact us directly for expert advice and professional support.



PERFORMANCE SPECIFICATION

Model	B-PIV 200-15	B-PIV 135-15	B-PIV 120-20	B-PIV 100-25
Wavelength (nm)	532nm			
Pulse repetition rate (Hz)	0-15	0-15	0-20	0-25
Pulse energy @ 532nm (mJ) ⁽¹⁾	200	135	120	100
Pulse to pulse energy stability (%pk-pk)	<2			
Pulse width (ns) ⁽²⁾	≤10			
Near field beam diameter (mm)	6.5	5	5	5
Beam divergence (mrad) ⁽³⁾	<3.5			
Shot to shot pointing stability (μrad)	<100			
Far field beam overlap (μrad)	±100			
Near field beam overlap (μm)	±100			
Polarisation	Linearly polarised, vertical plane			
Spectral Purity (%)	>99.5%			
System requirements				
Power input (VAC)	100-240 (50-60Hz)			
Operating ambient (°C)	10 to 30			
Storage ambient (°C) ⁽⁴⁾	5 to 50			
Coolant	Deionised Water			
External trigger	5V TTL			
Standard umbilical length (m)	2.5			
System Data				
Laser head warranty	24 Months			
PSU warranty	24 Months			
Flash lamp warranty	100 Million Shots/24 Months			
Laser head sealing ⁽⁵⁾	IP67			
Laser PSU sealing	IP21			

(1) Per laser at maximum rep. rate.

(2) At maximum energy 532nm (FWHM)

(3) Full angle for 90% of the output energy.

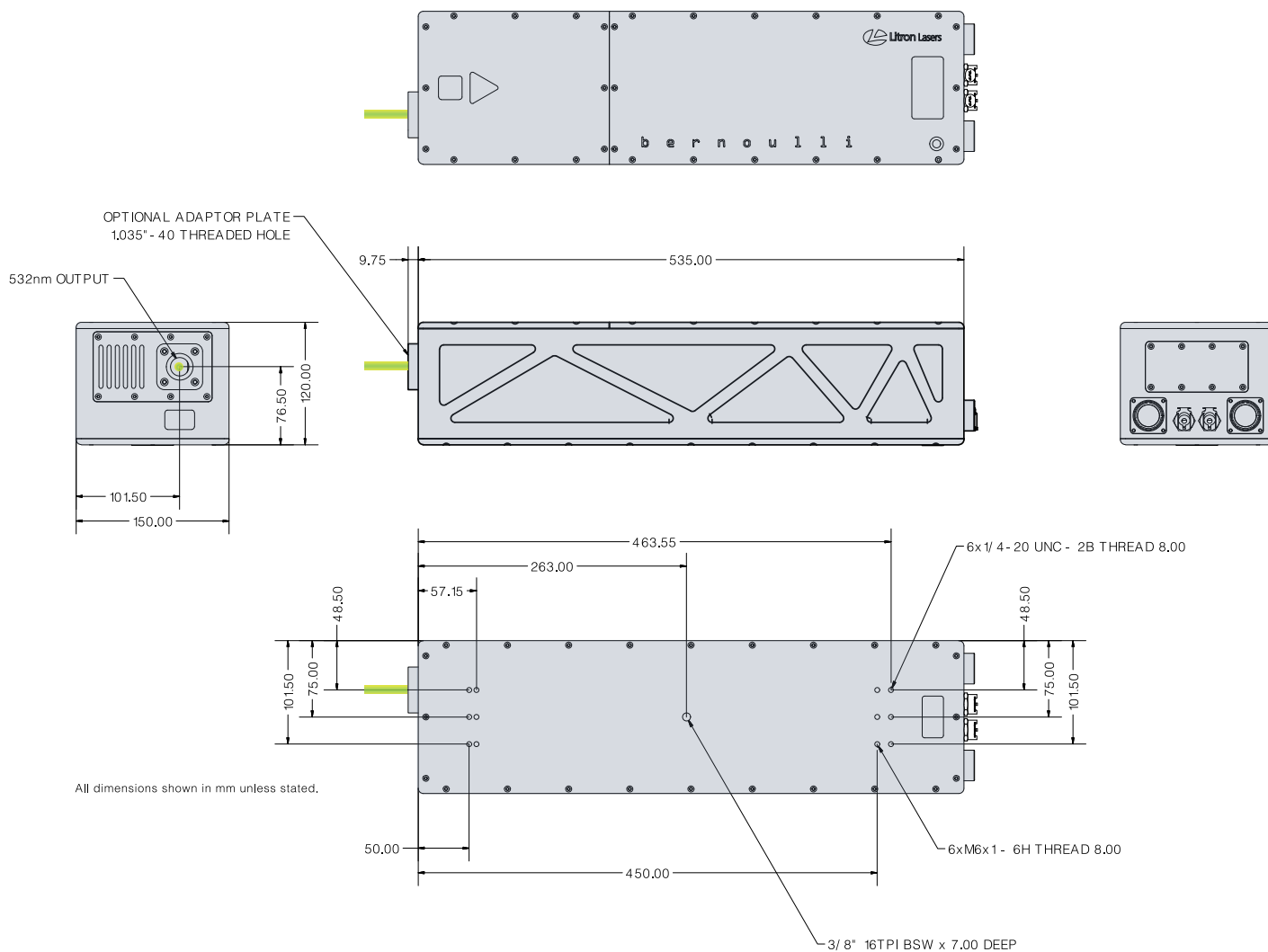
(4) All cooling water removed.

(5) With suitable connector set as an option, not suitable for full immersion.



Our policy is to improve the design and specification of our products. The details given in this document are not to be regarded as binding.

DIMENSIONAL SPECIFICATION



HEAD OFFICE
Litron Lasers Ltd
 8 Consul Road
 Rugby
 Warwickshire CV21 1PB
 England

T +44 (0)1788 574444
 F +44 (0)1788 574888
 E sales@litron.co.uk

NORTH AMERICAN OFFICE
Litron Lasers North America
 2449 Arnica Drive
 Bozeman
 MT 59715
 USA

T +1 (406) 522 7566
 F +1 (406) 522 7567
 E sales@litronlasers.com

www.litronlasers.com

